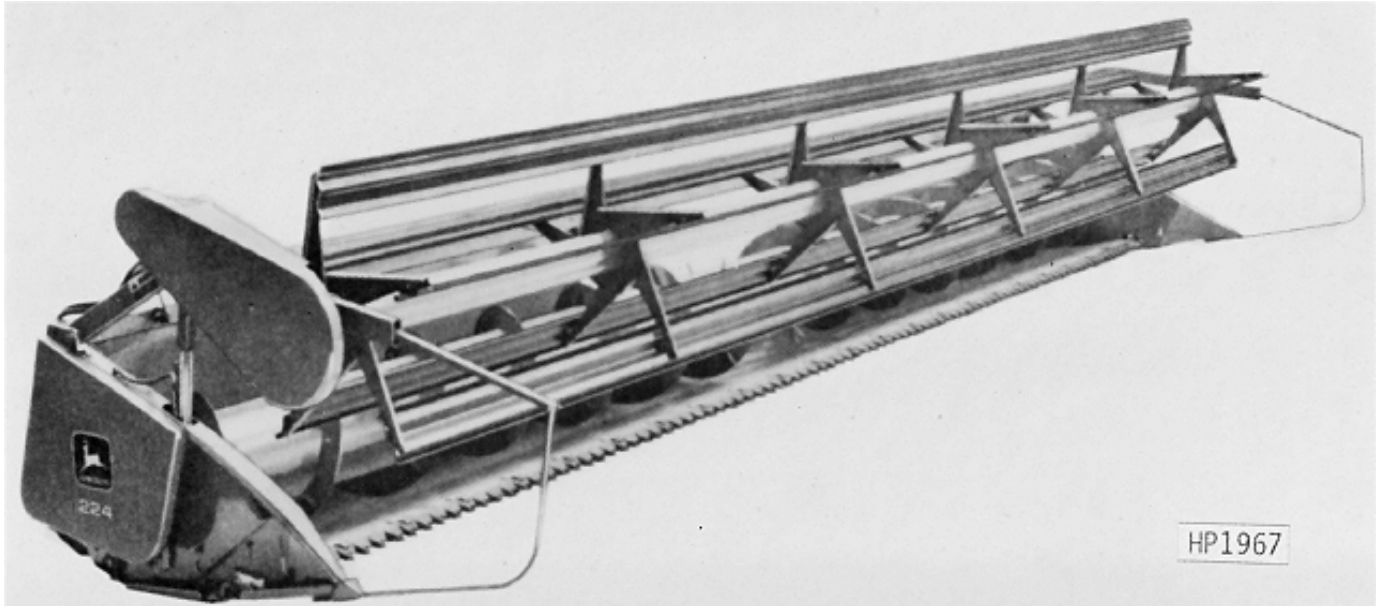


HP1967 -UN-01JAN94



JOHN DEERE 224 RIGID CUTTERBAR PLATFORM WITH BAT REEL

(SPECIFICATIONS AND DESIGN SUBJECT TO CHANGE WITHOUT NOTICE)

DATE OF MANUFACTURE

MODEL NO.	TYPE	DATE
213	RIGID, FLEX	(1976-1987)
215	RIGID, FLEX	(1976-1987)
216	RIGID, FLEX	(1976-1987)
218	RIGID, FLEX	(1976-1987)
220	RIGID, FLEX	(1976-1987)
222	RIGID, FLEX	(1976-1987)
224	RIGID, FLEX	(1976-1987)
230	RIGID	(1979-1987)

SERIAL NUMBER PLATE

USE ALL NUMBERS, LETTERS, AND SPACES ON THE SERIAL NUMBER PLATE IN WARRANTY CORRESPONDENCE.

200 SERIAL PLATFORMS (-579900)

ON THESE PLATFORMS, THE SERIAL NUMBER PLATE IS LOCATED ON THE LEFT-HAND SIDE OF THE FRAME.

EXAMPLE: E0216579900H
E - EQUIPMENT
0216 - PLATFORM MODEL
579900 - PLATFORM SERIAL NUMBER
H - FACTORY (HARVESTER WORKS)

200 SERIES PLATFORM (579901-)

ON THESE PLATFORMS, THE SERIAL NUMBER PLATE IS LOCATED ON THE LEFT-SIDE OF THE FRAME.

EXAMPLE: H00216R579901
216 PLATFORM

(FIRST LINE) H0 - FACTORY (HARVESTER WORKS)
0216 - PLATFORM MODEL
R - CONFIGURATION/MODEL SUFFIX
579901 - PLATFORM SEQUENCE NUMBER (SERIAL NUMBER)
(SECOND LINE) PLATFORM - PRODUCT TYPE

SERIAL NUMBER LISTING INFORMATION

SERIAL NUMBER INFORMATION IS LISTED TO SHOW ON WHICH MACHINES A PART CAN BE USED; FOR EXAMPLE:

- THE PART CAN BE USED ON ALL MACHINES.
- 000000- THE PART CAN BE USED ON ALL MACHINES BEGINNING WITH THE SERIAL NUMBER LISTED.
- 000000 THE PART CAN BE USED ON ALL MACHINES UP TO AND INCLUDING THE SERIAL NUMBER LISTED.
- 000000-000000 THE PART CAN BE USED ON ALL MACHINES BETWEEN AND INCLUDING THE SERIAL NUMBERS LISTED.

WHEN XXXXXX'S ARE LISTED IN PLACE OF A SERIAL NUMBER, A SERIAL NUMBER CHANGE WAS MADE BUT THE EXACT SERIAL NUMBER WAS NOT AVAILABLE WHEN THE CATALOG WAS PRODUCED.

*COPYRIGHT (C) 2000. DEERE & COMPANY. MOLINE, ILLINOIS
ALL RIGHTS RESERVED*

IMPORTANT

THIS PARTS CATALOG CONTAINS COMPLETE PARTS INFORMATION ON THE 200 SERIES CUTTING PLATFORM. VINTAGE IS DETERMINED BY SERIAL NUMBERS UNDER WHICH PLATFORMS WERE MANUFACTURED. IT IS IMPORTANT THAT THE CORRECT SERIAL NUMBER BE USED WHEN ORDERING PARTS.

DIRECTION ARROW

ARROWS ARE USED WITH ILLUSTRATIONS TO INDICATE THE FRONT OF THE UNIT. "RIGHT-HAND" AND "LEFT-HAND" SIDES ARE DETERMINED BY FACING IN THE DIRECTION OF MACHINE FORWARD TRAVEL.

BOX-ENCLOSED ILLUSTRATIONS

A KEY NUMBER, SHOWN IN THE PARTS LIST, IS ASSIGNED TO A BOX ENCLOSING ALL PARTS SOLD AS A SERVICE ASSEMBLY. A BOX NOT KEYED INCLUDES NON-CURRENT PARTS.

KITS

KIT INFORMATION WILL BE FOUND IMMEDIATELY FOLLOWING THE STORY IN WHICH IT IS USED. THE ILLUSTRATION IS REPEATED WITH ONLY THE KIT PARTS CALLED OUT AND WITH ALL OTHER PARTS SHOWN IN PHANTOM FOR RELATIONSHIP.

JDM REMANUFACTURED COMPONENTS

THE SERVICE PARTS LISTED IN THIS CATALOG ARE INTENDED FOR THE REPAIR OF ORIGINAL EQUIPMENT COMPONENTS. ALTHOUGH MOST SERVICE PARTS MAY BE USED TO REPAIR REMANUFACTURED COMPONENTS, THE REMANUFACTURED DESIGN MAY CHANGE PARTS SUFFICIENTLY SO THAT SERVICE PARTS ARE INADEQUATE OR NOT USABLE.

BOLT AND CAP SCREW STRENGTH IDENTIFICATION

BOLTS AND CAP SCREWS REQUIRED TO HAVE HIGH-STRENGTH QUALITIES EQUIVALENT TO SAE GRADE 8 ARE IDENTIFIED THROUGHOUT THIS CATALOG BY THE DESCRIPTION HS SAE 8. ALL STANDARD BOLTS AND CAP SCREWS ARE SAE GRADE 5 OR LOWER.

SI UNITS OF MEASURE

METRIC DIMENSIONS ARE GIVEN, WHERE APPLICABLE, THROUGHOUT THIS PARTS CATALOG.

TRADEMARKS

THROUGHOUT THIS PARTS CATALOG, YOU WILL FIND THE FOLLOWING DEERE & COMPANY TRADEMARKS:

DIAL-A-MATIC™

CHANGE INDICATOR LINE (MICROFICHE CATALOGS ONLY)

CHANGES AFFECTING THE ORDERING OF PARTS ARE IDENTIFIED BY VERTICAL LINES MARKED IN THE LEFT-HAND MARGIN OF REVISED PARTS LISTING IMAGES. A LINE IS ALSO AT THE LEFT-HAND EDGE OF THE SAME PART NUMBER IN THE NUMERICAL INDEX TO SHOW THE LOCATION OF REVISED INFORMATION.

SECTION INDEX

SECTION 05 - GENERAL INFORMATION

SECTION 10 - REEL

SECTION 15 - FRAME, SHEETS, DIVIDERS, SKID PLATES AND HEADER HEIGHT CONTROL

SECTION 20 - KNIFE, CUTTERBAR AND DRIVES

SECTION 25 - AUGER AND DRIVE

SECTION 30 - HYDRAULICS

SECTION 35 - IDLERS, TIGHTENERS, AND SHIELDS

SECTION 40 - BELTS, CHAINS, SHEAVES, SPROCKETS AND DECALS

SECTION 45 - NUMERICAL INDEX

**Thanks very much for your reading,
Want to get more information,
Please click here, Then get the complete
manual**

JustClickHere 

NOTE:

**If there is no response to click on the link above,
please download the PDF document first, and then
click on it.**

**Have any questions please write to me:
admin@servicemanualperfect.com**

ALPHABETICAL INDEX

GRID		PAGE	GRID		PAGE
A					
F11	ARM, BAT REEL	10 - 10	I8	CROSS AUGER SPROCKET	25 - 7
F13	ARM, BAT REEL	10 - 12	I8	CROSS AUGER SUPPORT	25 - 7
F4	ARM, PICKUP REEL	10 - 2	H16	CUTTERBAR DRIVE	20 - 16
F17	ARM, REEL	10 - 16	H18	CUTTERBAR DRIVE (SH).....	20 - 18
F19	ARM, REEL	10 - 18	H22	CUTTERBAR DRIVE SUPPORT SPRING	20 - 22
F18	ARM, REEL (RIGID AND FLEXIBLE)	10 - 17	H9	CUTTERBAR KNIFE GUARDS (NON-CLOG)	20 - 9
G16	ARM, STOP	15 - 23	F19	CYLINDER ROD EXTENSION	10 - 18
I4	AUGER AND SHAFT, CROSS	25 - 3	I19	CYLINDER, HYDRAULIC, LIFT REEL, MASTER.....	30 - 3
G17	AUTOMATIC HEADER HEIGHT CONTROL	15 - 24	I18	CYLINDER, HYDRAULIC, LIFT REEL, SLAVE	30 - 1
B					
G19	BALL, INDICATOR, AUTO. HEIGHT CONTROL	15 - 26	D		
F11	BAT REEL ARM.....	10 - 10	H18	DECAL, DRIVE SHAFT(SH)	20 - 18
F13	BAT REEL ARM.....	10 - 12	I13	DECAL, DRIVESHAFT	25 - 12
F11	BAT REEL DRIVE SHAFT.....	10 - 10	I15	DECAL, DRIVESHAFT	25 - 14
F13	BAT REEL DRIVE SHAFT.....	10 - 12	G19	DECAL, RANGE INDICATOR	15 - 26
F15	BAT REEL DRIVE SHAFT,SPRKTS,AND MTGS.	10 - 14	G22	DECAL,RANGE IND.,DIAL-A-MATIC HDR. HGT. CONT.	15 - 29
F11	BAT REEL MOUNTING	10 - 10	J17	DECALS	40 - 3
F13	BAT REEL MOUNTING	10 - 12	J19	DECALS, RIGHT-HAND AND LEFT-HAND	40 - 5
F11	BAT REEL SHIELD	10 - 10	G24	DIAL-A-MATIC HDR HGT CONT,WIRING HARNESS (FLEX)	15 - 31
F13	BAT REEL SHIELD	10 - 12	G18	DIAL-A-MATIC HDR.HGT.CONT.SENSING BOX.....	15 - 25
F11	BAT REEL SLAT	10 - 10	G18	DIAL-A-MATIC HEADER HEIGHT CONTROL MTG.	15 - 25
F13	BAT REEL SLAT	10 - 12	G10	DIVIDER POINTS (RIGID).....	15 - 17
F11	BAT REEL SPROCKETS.....	10 - 10	G10	DIVIDER, LOOP	15 - 17
F13	BAT REEL SPROCKETS.....	10 - 12	G11	DIVIDERS, LONG, ROW CROP	15 - 18
F4	BAT, PICKUP REEL	10 - 2	J15	DRIVE BELT, L.H. SIDE	40 - 1
F4	BATSHAFT, PICKUP REEL.....	10 - 2	J16	DRIVE CHAINS AND SPROCKETS, R.H. SIDE	40 - 2
I6	BEARINGS, CROSS AUGER	25 - 5	H18	DRIVE SHAFT DECAL (SH)	20 - 18
H12	BEARINGS, KNIFE DRIVE CASE.....	20 - 12	F11	DRIVE SHAFT, BAT REEL	10 - 10
J15	BELT, DRIVE, L.H. SIDE	40 - 1	F13	DRIVE SHAFT, BAT REEL	10 - 12
H3	BLOCK, GUARD AND KNIFE REPAIR.....	20 - 2	I13	DRIVE SHAFT, DECAL	25 - 12
H6	BOLTED KNIFE AND MOUNTINGS	20 - 6	I15	DRIVE SHAFT, DECAL	25 - 14
I8	BRACKETS, CROSS AUGER	25 - 7	H20	DRIVE SHAFT, HEADER - SIDEHILL	20 - 20
C					
H10	CASE, KNIFE DRIVE.....	20 - 10	J15	DRIVE SHEAVES, L.H. SIDE	40 - 1
F19	CHAIN, CYL. ROD EXTENSION.....	10 - 18	J15	DRIVE TIGHTENERS, L.H. SIDE	40 - 1
J16	CHAINS, DRIVE, R.H. SIDE	40 - 2	J16	DRIVE TIGHTENERS, R.H. SIDE.....	40 - 2
G18	CIRCUIT BOARD,DIAL-A-MATIC HDR.HGT.CONT.	15 - 25	H16	DRIVE, CUTTERBAR.....	20 - 16
I13	CLUTCH, CROSS AUGER DRIVE (SH).....	25 - 12	H22	DRIVE, CUTTERBAR.....	20 - 22
I15	CLUTCH, CROSS AUGER DRIVE (SH).....	25 - 14	H18	DRIVE, CUTTERBAR (SH)	20 - 18
I9	CLUTCH, SLIP, CROSS AUGER DRIVE	25 - 8	E		
I11	CLUTCH, SLIP, CROSS AUGER DRIVE	25 - 10	F19	EXTENSION CYL. ROD	10 - 18
I22	CONNECTORS, REEL DRIVE	30 - 6	F18	EXTENSION, RAM.....	10 - 17
I22	CONNECTORS, REEL LIFT	30 - 6	I2	EXTENSIONS, FLIGHT, CROSS AUGER	25 - 1
I4	COVER, CROSS AUGER	25 - 3	F		
I6	CRANK, CROSS AUGER	25 - 5	G1	FEED PLATES, MAIN SILL, AND SUPPORTS	15 - 8
I4	CROSS AUGER AND SHAFT.....	25 - 3	F4	FINGER, PICKUP REEL	10 - 2
I6	CROSS AUGER BEARINGS.....	25 - 5	I6	FINGERS, CROSS AUGER.....	25 - 5
I8	CROSS AUGER BRACKETS	25 - 7	F22	FLEXIBLE FRAME	15 - 3
I4	CROSS AUGER COVER.....	25 - 3	F24	FLEXIBLE FRAME	15 - 5
I6	CROSS AUGER CRANK.....	25 - 5	G15	FLEXIBLE STABILIZER	15 - 22
I9	CROSS AUGER DRIVE.....	25 - 8	I2	FLIGHT EXTENSIONS.....	25 - 1
I11	CROSS AUGER DRIVE.....	25 - 10	F25	FLOOR STRIPPER	15 - 7
I13	CROSS AUGER DRIVE (SH)	25 - 12	F21	FRAME	15 - 2
I15	CROSS AUGER DRIVE (SH)	25 - 14	F23	FRAME	15 - 4
I6	CROSS AUGER FINGERS	25 - 5	F22	FRAME (FLEXIBLE).....	15 - 3
I2	CROSS AUGER FLIGHT EXTENSIONS	25 - 1	F24	FRAME (FLEXIBLE).....	15 - 5
I4	CROSS AUGER HUB	25 - 3	F21	FRAME (RIGID AND FLEXIBLE)	15 - 2
I6	CROSS AUGER SHAFTS	25 - 5	F23	FRAME (RIGID AND FLEXIBLE)	15 - 4
I8	CROSS AUGER SHIELDS	25 - 7			

ALPHABETICAL INDEX - CONTINUED

<i>GRID</i>		<i>PAGE</i>	<i>GRID</i>		<i>PAGE</i>
F22	FRAME (RIGID)	15-3	G16	LINK, PUSH, STOP ARM	15-23
F24	FRAME (RIGID)	15-5	G19	LINKAGE, HEIGHT SENSING	15-26
G			M		
H3	GUARD AND KNIFE REPAIR BLOCK	20-2	G1	MAIN SILL, FEED PLATES, AND SUPPORTS	15-8
F7	GUARD, PICKUP REEL	10-6	J10	MOTOR, HYD., HYDROSTATIC DRIVE REEL	30-17
F9	GUARD, PICKUP REEL	10-8	J11	MOTOR, REEL	30-18
H8	GUARDS AND WEAR PLATES	20-8	G17	MOUNTING, AUTO. HEADER HEIGHT CONTROL	15-24
H9	GUARDS, CUTTERBAR KNIFE (NON-CLOG)	20-9	F11	MOUNTING, BAT REEL	10-10
H2	GUARDS, LIFTING	20-1	F13	MOUNTING, BAT REEL	10-12
H			H22	MOUNTING, CUTTERBAR DRIVE	20-22
G23	HARNES, WIRING, AUTO. HEIGHT CONTROL	15-30	G11	MOUNTING, ROW CROP DIVIDERS	15-18
H20	HEADER DRIVE SHAFT - SIDEHILL	20-20	F15	MOUNTINGS, BAT REEL DRIVE	10-14
G18	HEADER HEIGHT CONTROL, DIAL-A-MATIC	15-25	N		
J8	HOSE, HYDRAULIC DRIVE REEL	30-15	G10	NOSE, LOOP DIVIDER	15-17
J9	HOSES, HYDRAULIC, PICKUP REEL	30-16	O		
I22	HOSES, REEL DRIVE	30-6	J1	OIL LINES, HYDRAULIC LIFT REEL	30-8
I22	HOSES, REEL LIFT	30-6	J3	OIL LINES, HYDRAULIC LIFT REEL	30-10
J5	HOSES, REEL LIFT	30-12	J5	OIL LINES, REEL LIFT	30-12
I4	HUB, CROSS AUGER	25-3	P		
I19	HYDRAULIC CYLINDER, LIFT REEL, MASTER	30-3	F3	PICKUP REEL	10-1
I18	HYDRAULIC CYLINDER, LIFT REEL, SLAVE	30-1	F4	PICKUP REEL	10-2
J8	HYDRAULIC DRIVE REEL HOSE	30-15	F3	PICKUP REEL ARM	10-1
J9	HYDRAULIC DRIVE REEL HOSES, PICKUP REEL	30-16	F4	PICKUP REEL ARM	10-2
I20	HYDRAULIC DRIVE REEL LINES	30-4	F5	PICKUP REEL ARM	10-3
I23	HYDRAULIC DRIVE REEL LINES	30-7	F3	PICKUP REEL BAT	10-1
J7	HYDRAULIC DRIVE REEL LINES, BAT REEL	30-14	F4	PICKUP REEL BAT	10-2
J7	HYDRAULIC HOSES, BAT REEL	30-14	F3	PICKUP REEL BATSHAFT	10-1
I19	HYDRAULIC LIFT REEL MASTER CYLINDER	30-3	F4	PICKUP REEL BATSHAFT	10-2
J1	HYDRAULIC LIFT REEL OIL LINES	30-8	F7	PICKUP REEL DRIVE SHAFT	10-6
J3	HYDRAULIC LIFT REEL OIL LINES	30-10	F9	PICKUP REEL DRIVE SHAFT	10-8
I18	HYDRAULIC LIFT REEL SLAVE CYLINDER	30-1	F6	PICKUP REEL ECCENTRIC SPIDER	10-5
J10	HYDRAULIC MOTOR, HYDROSTATIC DRIVE REEL	30-17	F3	PICKUP REEL FINGER	10-1
J10	HYDROSTATIC DRIVE REEL HYDRAULIC MOTOR	30-17	F4	PICKUP REEL FINGER	10-2
I			F5	PICKUP REEL FINGER	10-3
H21	IDLER, KNIFE DRIVE	20-21	F7	PICKUP REEL GUARD	10-6
G22	IND., RANGE, DIAL-A-MATIC HDR. HGT. CONT.	15-29	F9	PICKUP REEL GUARD	10-8
G19	INDICATOR, RANGE, AUTO. HEIGHT CONTROL	15-26	F7	PICKUP REEL MOUNTINGS	10-6
K			F9	PICKUP REEL MOUNTINGS	10-8
H3	KNIFE AND GUARD REPAIR BLOCK	20-2	F5	PICKUP REEL SPIDER	10-3
H6	KNIFE AND MOUNTINGS, BOLTED	20-6	F3	PICKUP REEL SPIDER PLATE	10-1
H4	KNIFE AND MOUNTINGS, RIVETED	20-4	F4	PICKUP REEL SPIDER PLATE	10-2
H10	KNIFE DRIVE CASE	20-10	F7	PICKUP REEL SPROCKETS	10-6
H12	KNIFE DRIVE CASE BEARINGS AND SUPPORTS	20-12	F9	PICKUP REEL SPROCKETS	10-8
H21	KNIFE DRIVE IDLER AND TIGHTENER	20-21	F19	PIN, REEL ARM	10-18
H9	KNIFE GUARDS, CUTTERBAR (NON-CLOG)	20-9	G10	PLATE, DIVIDER POINT SKID	15-17
L			F4	PLATE, PICKUP REEL SPIDER	10-2
H2	LIFTING GUARDS	20-1	G5	PLATES, PROTECTION (RIGID)	15-12
I23	LINES, HYDRAULIC DRIVE REEL	30-7	G5	PLATES, SKID (RIGID)	15-12
J7	LINES, HYDRAULIC, BAT REEL	30-14	G10	POINTS, DIVIDER (RIGID)	15-17
J1	LINES, OIL, HYDRAULIC LIFT REEL	30-8	G5	PROTECTION PLATES (RIGID)	15-12
J3	LINES, OIL, HYDRAULIC LIFT REEL	30-10	R		
I20	LINES, REEL, HYDRAULIC DRIVE	30-4	F17	REEL ARM	10-16

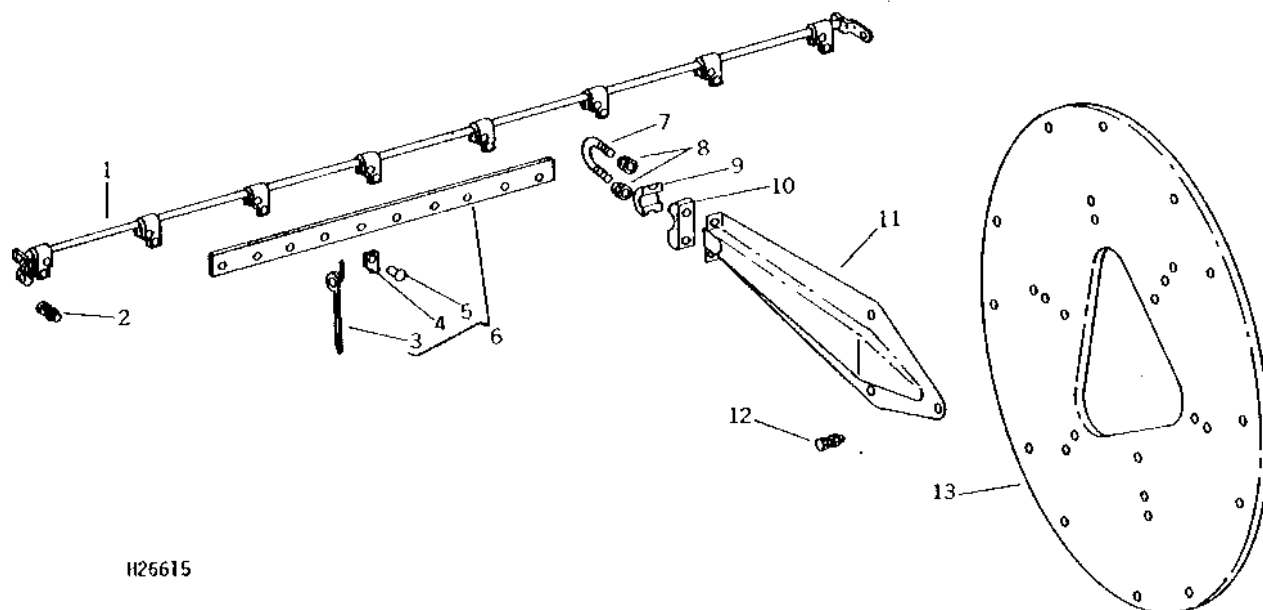
ALPHABETICAL INDEX - CONTINUED

<i>GRID</i>		<i>PAGE</i>	<i>GRID</i>		<i>PAGE</i>
F18	REEL ARM (RIGID AND FLEXIBLE)	10 - 17	F25	STRIPPER, FLOOR	15 - 7
F19	REEL ARM (RIGID AND FLEXIBLE)	10 - 18	I8	SUPPORT, CROSS AUGER	25 - 7
J5	REEL LIFT OIL LINES.....	30 - 12	H12	SUPPORTS, KNIFE DRIVE CASE	20 - 12
I20	REEL LINES, HYDRAULIC DRIVE	30 - 4	G1	SUPPORTS, MAIN SILL, AND FEED PLATES	15 - 8
J11	REEL MOTOR	30 - 18	G17	SWITCHES, MOUNTING, AUTO. HEIGHT CONTROL ..	15 - 24
F4	REEL, PICKUP.....	10 - 2	G17	SWITCHES, SENSING, AUTO. HEIGHT CONTROL.....	15 - 24
G16	REINFORCEMENT, STOP ARM.....	15 - 23			
F22	RIGID FRAME	15 - 3		T	
F24	RIGID FRAME	15 - 5			
H4	RIVETED KNIFE AND MOUNTINGS	20 - 4	H21	TIGHTENER, KNIFE DRIVE	20 - 21
G11	ROW CROP LONG DIVIDERS	15 - 18	J15	TIGHTENERS AND SHEAVE ON L.H. SIDE	40 - 1
			J16	TIGHTENERS AND SPROCKETS, R.H. SIDE.....	40 - 2
	S				
G3	SEALS	15 - 10		W	
G17	SENSING SWITCHES, AUTO. HDR. HGT. CONT.	15 - 24	H8	WEAR PLATES	20 - 8
I4	SHAFT AND AUGER, CROSS	25 - 3	G23	WIRING HARNESS-AUTO. HDR. HEIGHT CONTROL ..	15 - 30
F15	SHAFT, BAT REEL DRIVE	10 - 14	G24	WIRING HARNESS,DIAL-A-MATIC HDR HGT CONT....	15 - 31
I9	SHAFT, CROSS AUGER DRIVE	25 - 8			
I11	SHAFT, CROSS AUGER DRIVE	25 - 10			
I13	SHAFT, CROSS AUGER DRIVE (SH)	25 - 12			
I15	SHAFT, CROSS AUGER DRIVE (SH)	25 - 14			
H16	SHAFT, CUTTERBAR DRIVE	20 - 16			
H20	SHAFT, HEADER DRIVE - SIDEHILL	20 - 20			
I6	SHAFTS, CROSS AUGER	25 - 5			
H18	SHEAVE, CUTTERBAR DRIVE (SH)	20 - 18			
H21	SHEAVE, IDLER, KNIFE DRIVE	20 - 21			
J13	SHIELD.....	35 - 1			
F11	SHIELD, BAT REEL.....	10 - 10			
F13	SHIELD, BAT REEL.....	10 - 12			
I9	SHIELD, CROSS AUGER DRIVE	25 - 8			
I11	SHIELD, CROSS AUGER DRIVE	25 - 10			
I13	SHIELD, CROSS AUGER DRIVE (SH)	25 - 12			
I15	SHIELD, CROSS AUGER DRIVE (SH)	25 - 14			
H16	SHIELD, CUTTERBAR DRIVE	20 - 16			
H18	SHIELD, CUTTERBAR DRIVE (SH)	20 - 18			
I8	SHIELDS, CROSS AUGER	25 - 7			
J13	SHIELDS, DRIVE	35 - 1			
G10	SHOE, DIVIDER.....	15 - 17			
G8	SHOES, SKID (FLEXIBLE)	15 - 15			
H20	SIDEHILL - HEADER DRIVE SHAFT	20 - 20			
G5	SKID PLATES (RIGID).....	15 - 12			
G8	SKID SHOES (FLEXIBLE).....	15 - 15			
F11	SLAT, BAT REEL.....	10 - 10			
F13	SLAT, BAT REEL.....	10 - 12			
F6	SPIDER, ECCENTRIC, PICKUP REEL.....	10 - 5			
H22	SPRING, CUTTERBAR DRIVE	20 - 22			
H23	SPRING, STABILIZER	20 - 23			
H24	SPRING, STABILIZER	20 - 24			
I8	SPROCKET, CROSS AUGER.....	25 - 7			
I9	SPROCKET, CROSS AUGER DRIVE	25 - 8			
I11	SPROCKET, CROSS AUGER DRIVE	25 - 10			
I13	SPROCKET, CROSS AUGER DRIVE (SH)	25 - 12			
I15	SPROCKET, CROSS AUGER DRIVE (SH)	25 - 14			
H16	SPROCKET, CUTTERBAR DRIVE	20 - 16			
F11	SPROCKETS, BAT REEL	10 - 10			
F13	SPROCKETS, BAT REEL	10 - 12			
F15	SPROCKETS, BAT REEL DRIVE	10 - 14			
F7	SPROCKETS, PICKUP REEL	10 - 6			
F9	SPROCKETS, PICKUP REEL	10 - 8			
G15	STABILIZER (FLEXIBLE).....	15 - 22			
G15	STABILIZER ARM	15 - 22			
H23	STABILIZER SPRING	20 - 23			
H24	STABILIZER SPRING	20 - 24			
G16	STOP ARM, PUSH LINK, AND REINFORCEMENT	15 - 23			
F19	STOP, CYL. ROD EXTENSION	10 - 18			

MEMORANDA

**PICKUP REEL-YELLOW (RIGID AND FLEXIBLE)
(SERIAL NO. -365600)**

H26615 -UN-01JAN94

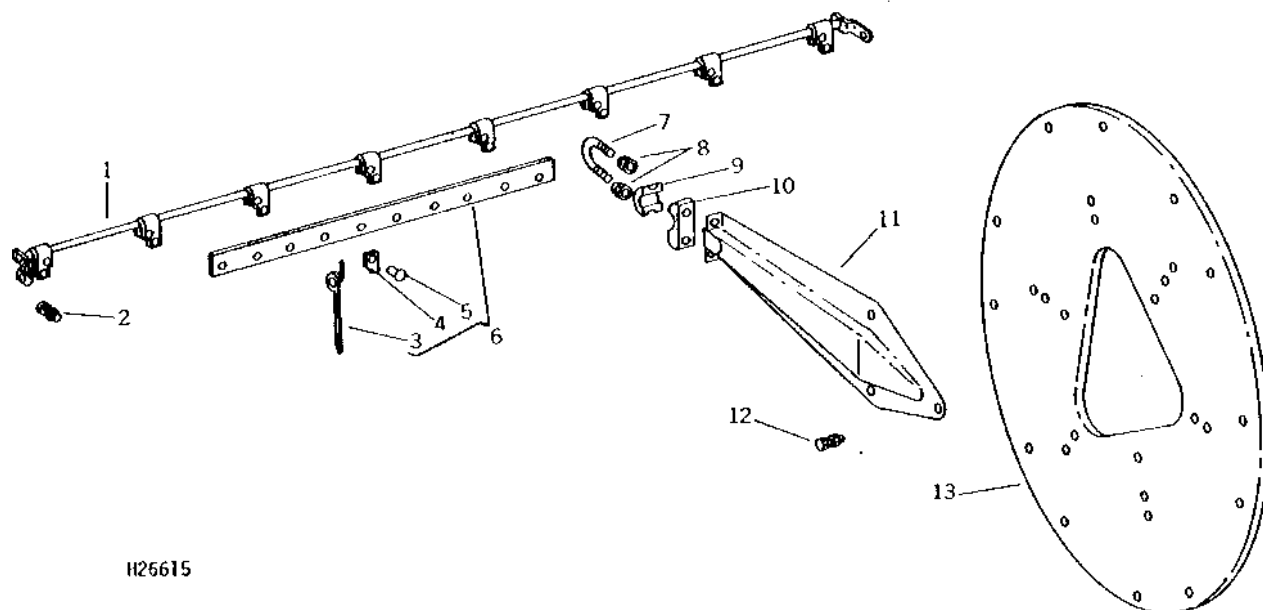


H26615

KEY	PART NO.	PART NAME	QTY	SERIAL NO.	REMARKS
1	AH19680	SHAFT	6	(SUB AH97182) (213)	
	AH63039	SHAFT	6	(215) (SUB AH97183)	
	AH19695	SHAFT	6	(SUB AH97184) (216)	
	AH19698	SHAFT	6	(218) (SUB AH97185)	
	AH63604	SHAFT	6	(SUB AH97186) (220)	
	AH80100	SHAFT	6	(222) (SUB AH97187)	
2	AH81254	SHAFT	6	(224) (SUB AH87188)	
	03H1810	BOLT	AR	1/4" X 1-1/2"	
3	E45229	LOCK NUT	AR		
	H33316	FINGER	AR	(213-186 USED; 215-216 USED; 216-234 USED; 218-258 USED; 220-294 USED; 222-324 USED; AND 224-360 USED)	
4	H33317	CLIP	AR	(213-186 USED; 215-216 USED; 216-234 USED; 218-258 USED; 220-294 USED; 222-324 USED; AND 224-360 USED)	
5	H33318	RIVET	AR	(213-186 USED; 215-216 USED; 216-234 USED; 218-258 USED; 220-294 USED; 222-324 USED; AND 224-360 USED)	
6	AH19681	SLAT	12	(R.H. AND L.H.)(213) (SUB AH97190)	
	AH19682	SLAT	6	(CENTER)(213) (SUB AH97191)	
	AH63038	SLAT	18	(215) (SUB AH97193)	
	AH19696	SLAT	AR	(216-18 USED; 218-6 USED) (SUB AH97194)	
	AH19699	SLAT	AR	(218, R.H. AND L.H.-2 USED; 220, CENTER- 6 USED) (SUB AH97195)	
	AH65216	SLAT	12	(220) (SUB AH97196)	
7	AH80098	SLAT	18	(222) (SUB AH97197)	
	AH81256	SLAT	18	(224) (SUB AH97200)	
	E40203	U-BOLT	24		
8	E40202	LOCK NUT	48	-365600 (SUB E45229)	
	E45229	LOCK NUT	48		
9	E40205	CAP	24		
10	E40206	BASE	24		
11	AE24410	ARM	24		
12	19H2020	CAP SCREW	72	5/16" X 1/2"	
	12H303	LOCK WASHER	72	5/16"	
	14H785	NUT	72	5/16"	
13	H84031	PLATE	4	(213, 215, 216, 218)	
	H84031	PLATE	4	(220)	
	H88454	PLATE	4	-267450 (SUB H98689) (220)	
	H88454	PLATE	4	267451- (SUB H98689) (222 AND 224)	

**PICKUP REEL-BLACK (RIGID AND FLEXIBLE)
(SERIAL NO. 365601-)**

H26615 -UN-01JAN94



H26615

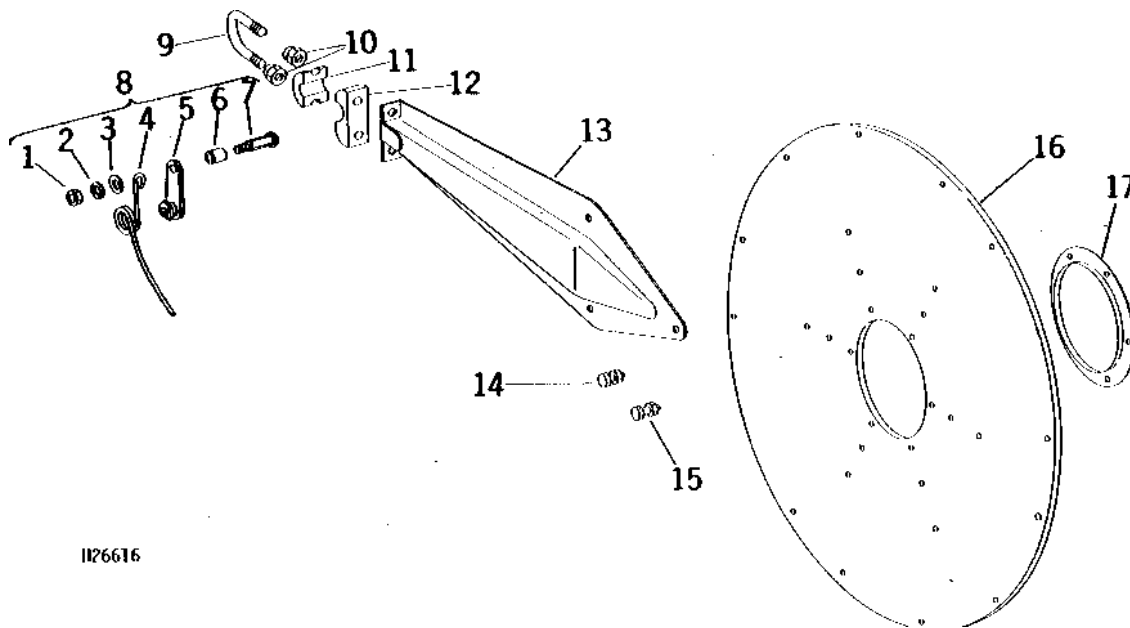
KEY	PART NO.	PART NAME	QTY	SERIAL NO.	REMARKS
1	AH97182	SHAFT	6	(213)	
	AH97183	SHAFT	6	(215)	
	AH97184	SHAFT	6	(216)	
	AH97185	SHAFT	6	(218)	
	AH97186	SHAFT	6	(220)	
	AH97187	SHAFT	6	(222)	
	AH97188	SHAFT	6	(224)	
2	AH97189	SHAFT	6	433738-	(230)
	03H1810	BOLT	AR		1/4" X 1-1/2"
3	E45229	LOCK NUT	AR		
	H33316	FINGER	AR		(213-186 USED; 215-216 USED; 216-234 USED; 218-258 USED; 220-294 USED; 222-324 USED; 224-360 USED; AND 230-456 USED)
4	H33317	CLIP	AR		(213-186 USED; 215-216 USED; 216-234 USED; 218-258 USED; 220-294 USED; 222-324 USED; 224-360 USED; AND 230-456 USED)
5	H33318	RIVET	AR		(213-186 USED; 215-216 USED; 216-234 USED; 218-258 USED; 220-294 USED; 222-324 USED; 224-360 USED; AND 230-456 USED)
6	AH97190	SLAT	12		R.H AND L.H. (213)
	AH97191	SLAT	6		CENTER (213)
	AH97193	SLAT	18		(215)
	AH97194	SLAT	AR		(216-18 USED AND 218 CENTER-6 USED)
	AH97195	SLAT	AR		(218, R.H. AND L.H.-12 USED; 220, CENTER-6 USED)
	AH97196	SLAT	12		(220)
	AH97197	SLAT	18		(222)
	AH97200	SLAT	18		(224)
	AH97198	SHAFT	12	433738-	R.H. AND L.H. (230)
AH97199	SHAFT	12	433738-	CENTER (230)	
7	E40203	U-BOLT	AR		(213, 215, 216, 218, 220, 222, 224-36 USED; AND 230-42 USED)
8	E40202	LOCK NUT	AR	-585895	(SUB E45229)
	E45229	LOCK NUT	AR		(213, 215, 216, 218, 220, 222, 224-72 USED; AND 230-42 USED)
9	E40205	CAP	AR		(213, 215, 216, 218, 220, 222, 224-36 USED; AND 230-42 USED)
10	E40206	BASE	AR		(213, 215, 216, 218, 220, 222, 224-36 USED; AND 230-42 USED)
11	AH97207	ARM	AR		(213, 215, 218, 220, 222, 224-36 USED; AND 230-42 USED)
12	19H2020	CAP SCREW	72		5/16" X 1/2"
	12H303	LOCK WASHER	72		5/16"
	14H785	NUT	72		5/16"
13	H98688	PLATE	4		(213, 215, 216, AND 218)
	H98689	PLATE	AR		(220, 222, 224-4 USED; AND 230-5 USED)

F5

REEL

PICKUP REEL ECCENTRIC SPIDER (RIGID AND FLEXIBLE)
(SERIAL NO. -231153)

H26616 -UN-01JAN94



KEY	PART NO.	PART NAME	QTY	SERIAL NO.	REMARKS
1	P42337	LOCK NUT	6		(RIGID) (SUB E59584, THIS APPLICATION)
	14H1040	NUT	6		1/2", (FLEXIBLE)
2	12H301	LOCK WASHER	6		1/2"
3	24H1111	WASHER	1		17/32" X 1-1/16" X 0.090", (RIGID)
	24H1162	WASHER	1		17/32" X 1-1/4" X 0.060", (FLEXIBLE)
4	H33333	FINGER	6		L.H. (RIGID)
	H33332	FINGER	6		R.H. (RIGID)
5	AH61937	STRAP	6		(SUB AH97221) (RIGID)
6	E40212	SPACER	6		(RIGID)
	H89200	SPACER	6		(FLEXIBLE)
7	H33334	PIN	6		(RIGID) (SUB E59584 AND E59585)
	19H1831	CAP SCREW	6		1/2" X 2", (FLEXIBLE)
8	AH66884	FINGER	6		L.H. (RIGID) (SUB AH97218)
	AH66883	FINGER	6		R.H. (RIGID) (SUB AH97217)
9	E40203	U-BOLT	6		
10	E40202	LOCK NUT	12	-231153	(SUB E45229)
	E45229	LOCK NUT	12		
	E40205	CAP	6		
12	E40206	BASE	6		
13	AE24410	ARM	6		(SUB AH97207)
14	19H2020	CAP SCREW	12		5/16" X 1/2"
	12H303	LOCK WASHER	12		5/16"
	14H785	NUT	12		5/16"
15	19H1900	CAP SCREW	6		5/16" X 3/4"
	12H303	LOCK WASHER	6		5/16"
	14H785	NUT	6		5/16"
16	H84030	PLATE	1		(SUB H98691)
17	H64720	RING	1		(SUB H98693)

NOTE: QUANTITIES SHOWN ARE FOR ONE END ONLY.

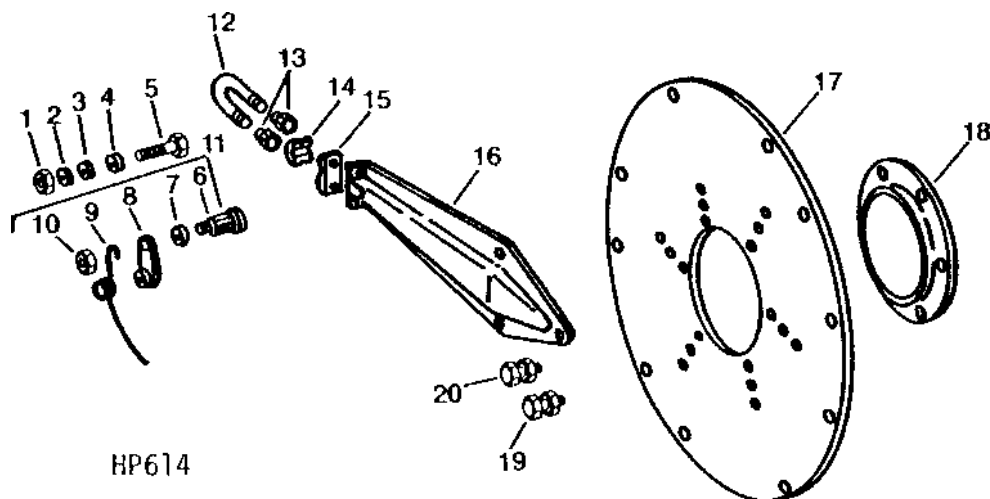
MEMORANDA

F6

REEL

PICKUP REEL ECCENTRIC SPIDER (RIGID AND FLEXIBLE)
(SERIAL NO. 231154-)

HP614 -UN-01JAN94



KEY	PART NO.	PART NAME	QTY	SERIAL NO.	REMARKS
1	14H1040	NUT	1		1/2", (FLEXIBLE)
2	12H301	LOCK WASHER	1		1/2", (FLEXIBLE)
3	24H1162	WASHER	1		17/32" X 1-1/4" X 0.060", (FLEXIBLE)
4	H89200	SPACER	6		(FLEXIBLE)
5	19H1831	CAP SCREW	1		1/2" X 2", (FLEXIBLE)
6	E59585	BOLT	6		(RIGID)
7	E40212	SPACER	6		(RIGID)
8	AH61937	STRAP	6	-365600	(SUB AH97221) (YELLOW) (RIGID)
	AH97221	STRAP	6	365601-	(BLACK) (RIGID)
9	H33332	FINGER	6		R.H. (RIGID)
	H33333	FINGER	6		L.H. (RIGID)
10	E59584	FLANGE NUT	6		FLANGE (RIGID)
11	AH66883	FINGER	6	-365600	R.H. (YELLOW) (RIGID) (SUB AH97217)
	AH97217	FINGER	6		R.H. (BLACK) (RIGID)
	AH66884	FINGER	6	-365600	L.H. (YELLOW) (RIGID) (SUB AH97218)
	AH97218	FINGER	6		L.H. (BLACK) (RIGID)
12	E40203	U-BOLT	6		
13	E40202	LOCK NUT	12	-585895	(SUB E45229)
	E45229	LOCK NUT	12		
14	E40205	CAP	6		
15	E40206	BASE	6		
16	AE24410	ARM	6	-365600	(SUB AH97207) (YELLOW)
	AH97207	ARM	6	365601-	(BLACK)
17	H84030	PLATE	1	-365600	(YELLOW) (SUB H98691)
	H98691	PLATE	1		(BLACK)
18	H64720	RING	1	-365600	(YELLOW) (SUB H98693)
	H98693	RING	1		(BLACK)
19	19H2020	CAP SCREW	12		5/16" X 1/2"
	12H303	LOCK WASHER	12		5/16"
	14H785	NUT	12		5/16"
20	19H1900	CAP SCREW	6		5/16" X 3/4"
	12H303	LOCK WASHER	6		5/16"
	14H785	NUT	6		5/16"

NOTE: QUANTITIES SHOWN ARE FOR ONE END ONLY.

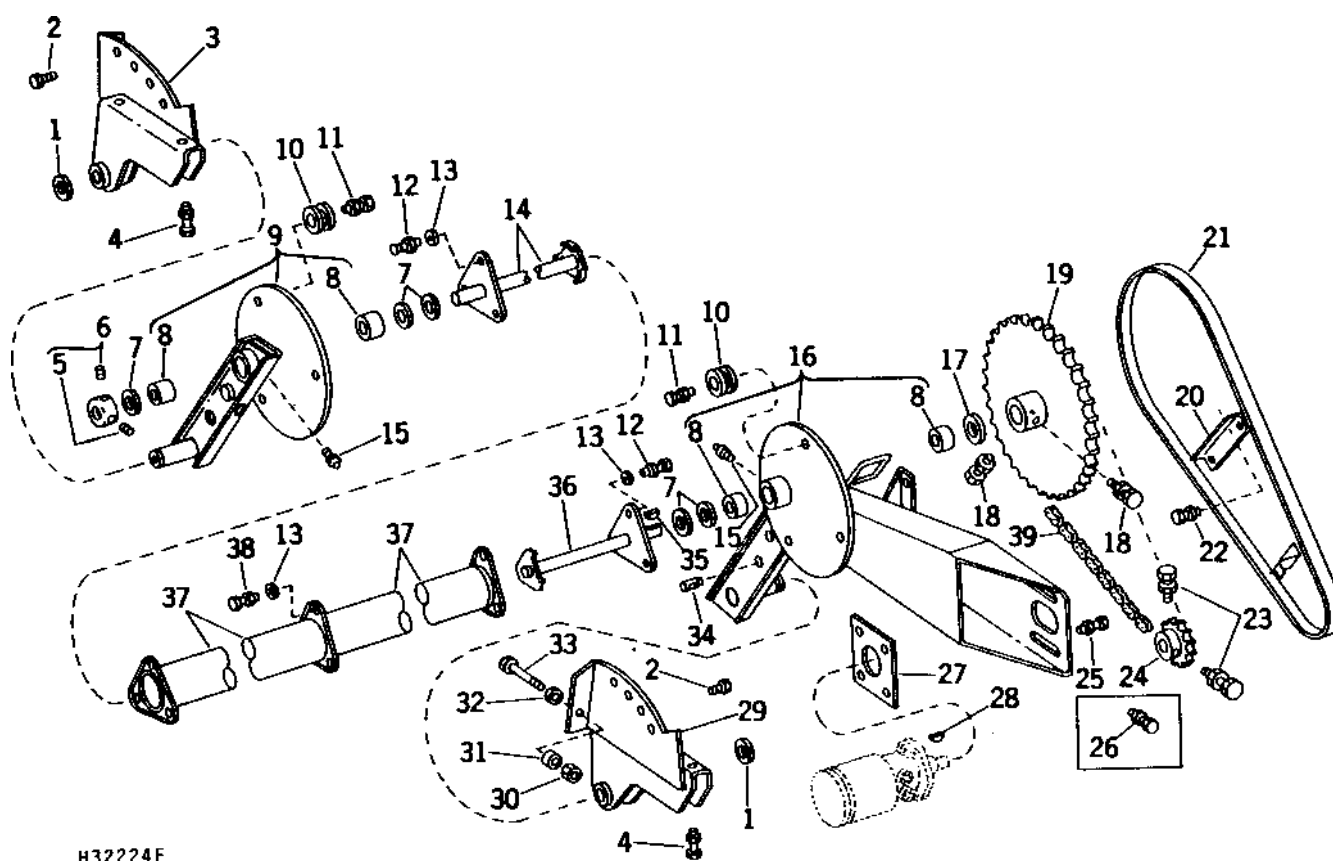
F7

REEL

PICKUP REEL DRIVE SHAFTS, MOUNTINGS, AND SPROCKETS (RIGID AND FLEXIBLE)

H32224F

-UN-01JAN94



H32224F

**PICKUP REEL DRIVE SHAFTS, MOUNTINGS, AND SPROCKETS - CONTINUED
(RIGID AND FLEXIBLE)**

KEY	PART NO.	PART NAME	QTY	SERIAL NO.	REMARKS
1	C3142E	SNAP RING	2		
2	19H1792	CAP SCREW	2		1/2" X 1"
	12H301	LOCK WASHER	2		1/2"
3	AH119100	BRACKET	1		L.H. (SUB FOR AH88967)
4	H93483	SET SCREW	2		
	14H821	NUT	2		5/8"
5	22H1043	SET SCREW	2		3/8" X 1/4"
6	AH89655	LOCKING COLLAR	1		
7	24H1553	WASHER	5		1-5/8" X 2-1/4" X 0.194"
8	H98743	BUSHING	4		(SUB FOR E40204, THIS APPLICATION)
9	AH97283	SUPPORT	1		(SUB FOR AH88971) L.H.
10	AE24403	BALL BEARING	6		
11	19H1765	CAP SCREW	6		3/8" X 1-3/4"
	12H304	LOCK WASHER	6		3/8"
	14H812	NUT	6		3/8"
12	03H1500	BOLT	1		3/8" X 1"
	12H304	LOCK WASHER	1		3/8"
	H20024	LOCK NUT	1		
13	24H1305	WASHER	12	-231153	13/32" X 13/16" X 0.065"
14	AH97215	SHAFT	1	365601-620300	(SUB FOR AE24407) (BLACK) (213, 215, 216, AND 218)
	AH127484	SHAFT	1	620301-	(BLACK) (213, 215, 216 AND 218)
	AH97216	SHAFT	1	-621250	(SUB FOR AE24407 AND AH89657) (BLACK) (220, 222, AND 224)
	AH127486	SHAFT	1	621251-	(BLACK) (220, 222 AND 224)
	AH127488	SHAFT	1	621751-	(BLACK)(230) (SUB FOR AH106100)
15	JD7759	LUBRICATION FITTING	2		STRAIGHT, 1/8"
16	AH97282	BRACKET	1		(SUB FOR AH88970 AND AH95483) R.H.
17	24H1520	WASHER	1		1-15/32" X 2" X 0.105"
18	22H853	SET SCREW	2		3/8" X 7/8"
	14H732	NUT	2		3/8"
19	AH88831	CHAIN SPROCKET	1		DRIVEN, 81 TEETH
20	AH96589	BRACKET	1	-317200	REEL SHIELD
21	AH95481	SHIELD	1		(SUB FOR AH88959) DRIVE REEL
22	19H1900	CAP SCREW	2	-317200	5/16" X 3/4"
	12H303	LOCK WASHER	2	-317200	5/16"
	24H1136	WASHER	2	-317200	11/32" X 11/16" X 0.065"
23	22H818	SET SCREW	2		5/16" X 3/4"
	14H611	NUT	2		5/16"
24	AH77367	CHAIN SPROCKET	1		20 TEETH
25	03H1731	BOLT	4		1/2" X 1-1/2"
	12H301	LOCK WASHER	4		1/2"
	14H1040	NUT	4		1/2"
26	03H1774	BOLT	2	-317200	5/16" X 5/8"
	N10213	LOCK NUT	2	-317200	
27	H87360	SHIM	1		
28	26H22	SHAFT KEY	1		1/4" X 1"
29	AH119099	BRACKET	1		R.H. (SUB FOR AH88966)
30	E54809	LOCK NUT	1		FLANGE

THIS PARTS LISTING IS CONTINUED

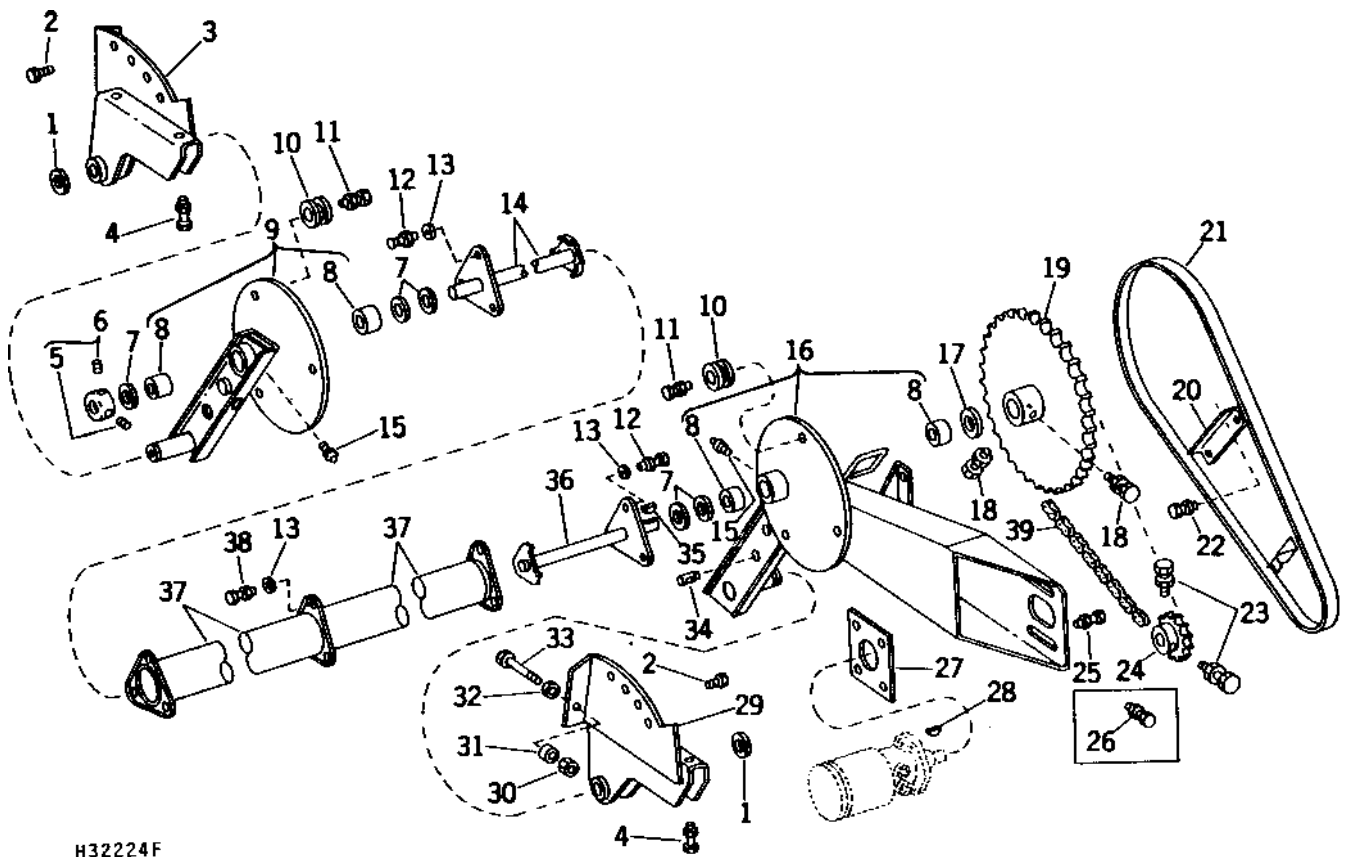
F9

REEL

PICKUP REEL DRIVE SHAFTS, MOUNTINGS, AND SPROCKETS - CONTINUED (RIGID AND FLEXIBLE)

H32224F

-UN-01JAN94



H32224F

F10

REEL

**PICKUP REEL DRIVE SHAFTS, MOUNTINGS, AND SPROCKETS - CONTINUED
(RIGID AND FLEXIBLE)**

KEY	PART NO.	PART NAME	QTY	SERIAL NO.	REMARKS
31	H81277	BUSHING	1		
32	24H1111	WASHER	1		17/32" X 1-1/16" X 0.090"
33	08H4654	CAP SCREW	1		1/2" X 7-1/2"
34	H89110	TRUNNION	1		
35	26H46	SHAFT KEY	1		3/8" X 2-1/8"
36	AH97210	SHAFT	1	-620300	(SUB FOR AH88965) DRIVE, R.H. (BLACK) (213, 215, 216, 218 AND 220)
	AH127483	SHAFT	1	620301-	DRIVE, R.H. (BLACK) (213, 215, 216 AND 218)
	AH127485	SHAFT	1	621251-	DRIVE, R.H. (BLACK) (220, 222 AND 224) (SUB FOR AH89656 AND AH97211)
	AH127487	SHAFT	1		DRIVE, R.H. (BLACK)(230) (SUB FOR AH106101)
37	AH65197	SHAFT	1	-365600	CENTER (YELLOW) (213) (NO LONGER AVAILABLE)
	AH97160	SHAFT	1	365601-	CENTER (BLACK) (213)
	AH97161	SHAFT	1	365601-	(SUB FOR AH65199) CENTER (BLACK) (215)
	AH97162	SHAFT	1	365601-	(SUB FOR AH65200) CENTER (BLACK) (216)
	AH97164	SHAFT	1	365601-	(SUB FOR AH65204) CENTER (BLACK) (218)
	AH97166	SHAFT	1	365601-	CENTER (BLACK) (220) (SUB FOR AH65203 AND AH94670)
	AH97167	SHAFT	1	365601-	(SUB FOR AH89659) CENTER (BLACK) (222)
	AH97168	SHAFT	1	365601-	(SUB FOR AH89658) CENTER (BLACK) (224)
	AH97169	SHAFT	1	433738-	CENTER (BLACK) (230)
38	19H1936	CAP SCREW	6		3/8" X 3/4"
	12H304	LOCK WASHER	6		3/8"
	H20024	LOCK NUT	6		
39	LINK CHAIN	1		ROLLER, DRIVE, TYPE 2050, 1-1/4" PITCH, 75 LINKS, (ASSEMBLE FROM AP19992 AND AP19991)
..	H98811	DECAL	1		(213,-620304; 215,-620484; 216,-620685; 218,-620950; 220,-621315; 222,-621450; 224,-621654; 230,-621787)

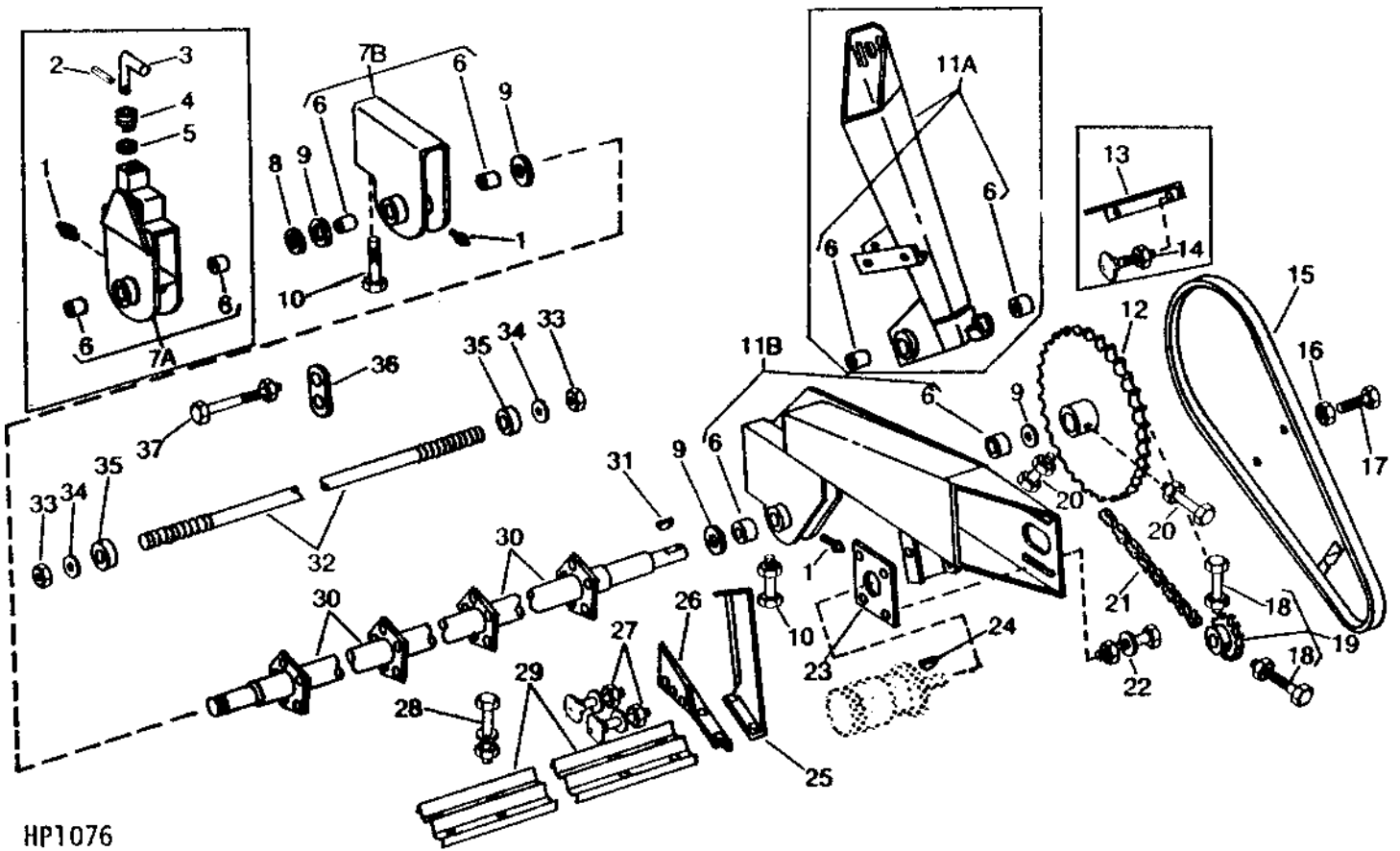
F11

REEL

BAT REEL DRIVE SHAFT, SPROCKETS, MOUNTINGS, AND TRUSS RODS
213, 215, 216 & 218 (-) 220, 222 & 224 (-365600)

HP1076

-UN-01JAN94



HP1076

F12

REEL

BAT REEL DRIVE SHAFT, SPROCKETS, MOUNTINGS, AND TRUSS RODS - CONTINUED
213, 215, 216 & 218 (-) 220, 222 & 224 (-365600)

KEY	PART NO.	PART NAME	QTY	SERIAL NO.	REMARKS
1	JD7759	LUBRICATION FITTING	2		STRAIGHT, 1/8"
2	34H249	SPRING PIN	2	-365600	1/8" X 7/8"
3	H87563	PIN	2	-365600	(NO LONGER AVAILABLE)
4	P35017	SPRING	2	-365600	
5	24H1325	WASHER	2	-365600	15/32" X 59/64" X 0.065"
6	BP13560	BUSHING	4	-365600	
	M1111T	BUSHING	4	365601-	
7A	AH88963	SUPPORT	1	-365600	(SUB AH97231, H93483 AND (2) 14H821)
7B	AH97231	SUPPORT	1		L.H.
8	P43332	PISTON RING	1		
9	24H1520	WASHER	4		1-15/32" X 2" X 0.105"
10	H93483	SET SCREW	2	365601-	
	14H821	NUT	4	365601-	5/8"
11A	AH95479	SUPPORT	1	-365600	(SUB AH97296, H93483 AND (2) 14H821)
11B	AH97296	BRACKET	1		R.H.
12	AH88831	CHAIN SPROCKET	1		DRIVEN, 81 TEETH
13	AH96589	BRACKET	1	-317200	REEL SHIELD
14	03H1774	BOLT	2	-317200	5/16" X 5/8"
	N10213	LOCK NUT	2	-317200	
15	AH88959	SHIELD	1	-317200	(SUB AH95481 AND AH96589)
	AH95481	SHIELD	1		DRIVE, REEL
16	24H1136	WASHER	2	365601-	11/32" X 11/16" X 0.065"
17	19H1900	CAP SCREW	2		5/16" X 3/4"
	12H303	LOCK WASHER	2		5/16"
18	22H818	SET SCREW	2		5/16" X 3/4"
	14H611	NUT	2		5/16"
19	AH66504	CHAIN SPROCKET	1		DRIVE, 30 TEETH
20	22H853	SET SCREW	2		3/8" X 7/8"
21	LINK CHAIN	1		TYPE 2050, 1-1/4" PITCH, 75 LINKS, (ASSEMBLE FROM AP19992 AND AP19991)
22	03H1731	BOLT	4		1/2" X 1-1/2"
	12H301	LOCK WASHER	4		1/2"
	14H1040	NUT	4		1/2"
23	H87360	SHIM	1		
24	26H22	SHAFT KEY	1		1/4" X 1"
25	H139078	SHIELD	5		(SUB FOR H79544) REEL END, L.H.
	H139077	SHIELD	5		(SUB FOR H79545) REEL END, L.H.
26	H76944	ARM	AR		(213, 215, AND 216-20 USED; 218-25 USED)
	H76944	ARM	AR	-365600	(220-25 USED; 222 AND 224-30 USED)
27	03H1527	BOLT	60	-267450	1/4" X 1-1/4"
	21H1024	SCREW	60		1/4" X 5/8"
	12H302	LOCK WASHER	60		1/4"
	14H786	NUT	60		1/4"
28	19H1936	CAP SCREW	50		3/8" X 3/4"
	12H304	LOCK WASHER	50		3/8"
	14H812	NUT	50		3/8"

THIS PARTS LISTING IS CONTINUED